

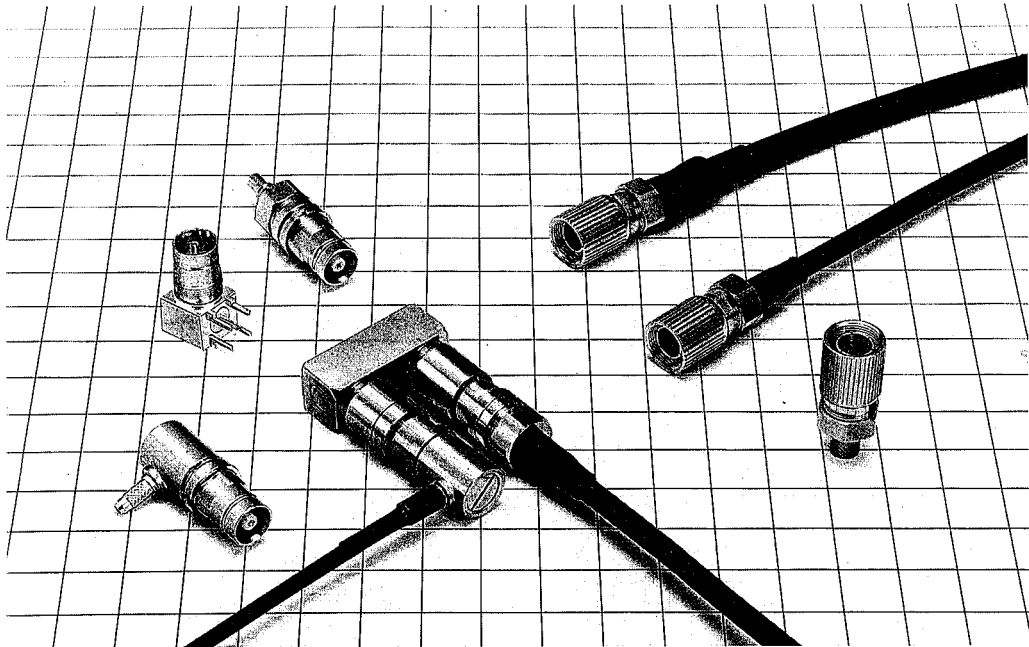
**MRF 1.6/5.6  
SERIES**

**RF CO-AXIAL CONNECTORS**

# MODEL IEC169-13 1.6/5.6 COAXIAL CONNECTORS

## Overview

The MRF1.6/5.6 series coaxial connectors comply with the IEC 169-13 1.6/5.6, and are compatible with three types of mating systems with a characteristic impedance of  $75\Omega$ . These connectors are widely used mainly for transmission and switching equipment.



## Features

- (1) Complies with IEC 169-13.
- (2) Compatible with three types of mating systems according to applications.  
The jack can be used for three types of mating systems.  
< (mating systems) > : A : Screw coupling B : Push-on C : Plug-in (A : Standard).
- (3) Suitable for small cables of 3C-2W or less.
- (4) Reduced in diameter to 70% of the BNC series.

## Applications

Transmission and switching equipment, electronic measuring instruments, communications equipment, video equipment, and controllers.

# MRF 1.6/5.6 SERIES RF CO-AXIAL CONNECTORS

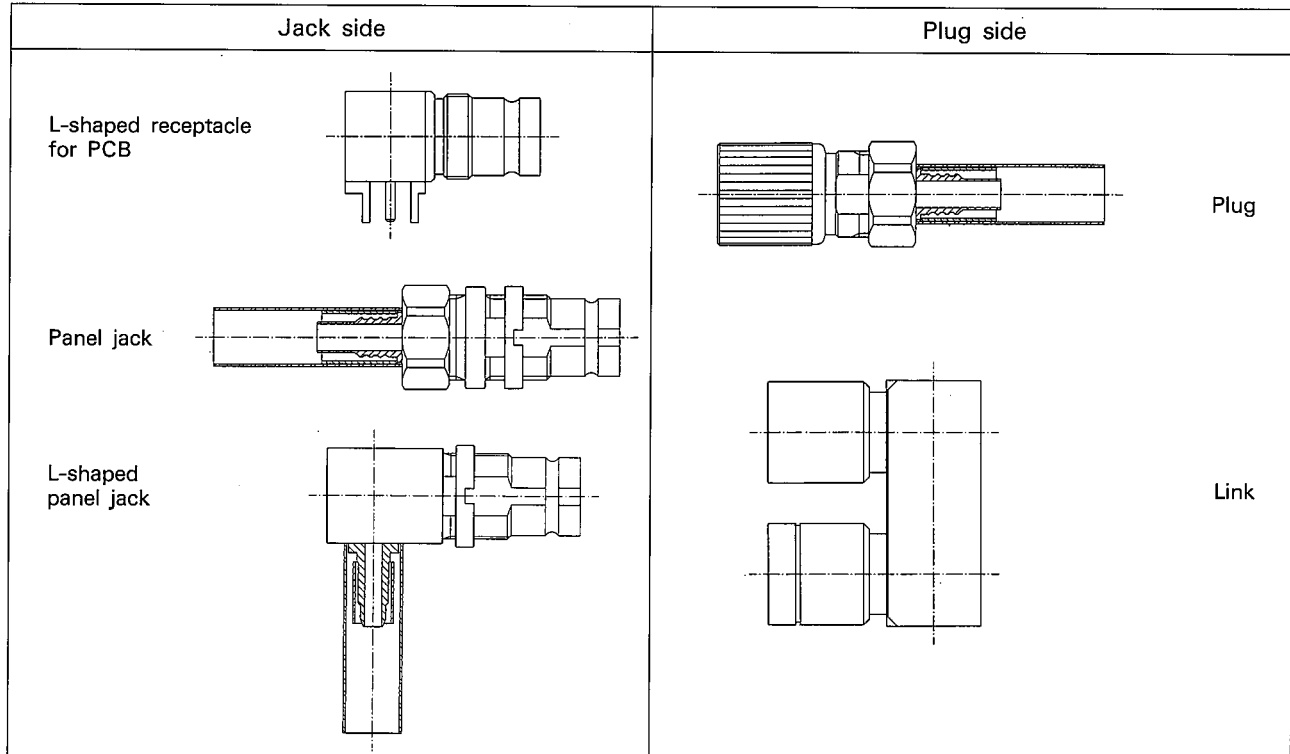
## Material/Finish

Part	Material	Finish
Armor (shell)	Brass	Nickel -plated Silver-plated
Center contact (male)	Brass	Gold-plated
Center contact (female)	Beryllium copper	Gold-plated
Outer contact (male)	Phosphor bronze	Gold-plated
Outer contact (female)	Brass	Gold-plated
Insulation	Tetrafluoride resin	—
Crimp sleeve	Copper	Nickel -plated
Heat shrinkable tube	Polyolefin	—

## Performance

Item	Standard
Contact resistance	4mΩ (center), 2mΩ (outer) or less at 1 ADC
Insulation resistance	1,000MΩ or higher at 50 0VDC
Withstand voltage	1,000 VAC for 1 min.
Characteristic impedance	75Ω
VSWR	1.2 or less at DC-500MHz

## Schematic



# MRF 1.6/5.6 SERIES RF CO-AXIAL CONNECTORS

## Mating system identification

The Mating system is identified by the alphabetic characters preceding the letters indicating the type of a plug part number.

<Plug part number identification>

MRF1.6/5.6-※<sub>1</sub>P-※<sub>2</sub>

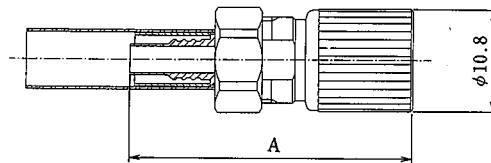
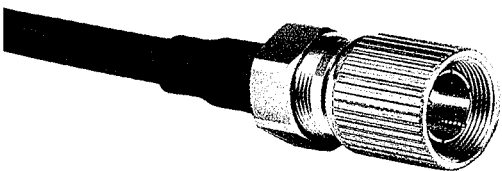
Letter indicating mating system  
 Letter indicating plug type  
 Letter indicating mating system  
 Series name

<Letters indicating mating system>

A or none: Screw coupling,  
 B: Push-on  
 C: Plug-in

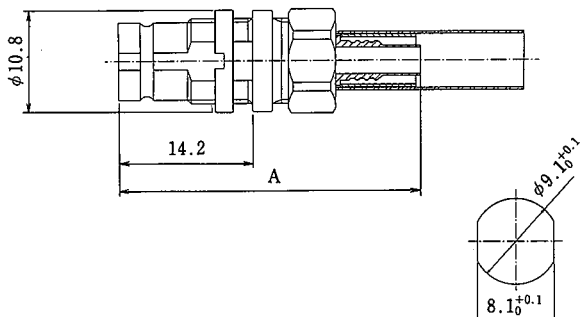
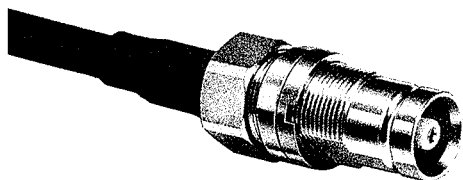
## Plug

HRS No.	Part No.	Applicable cable	Connecting tool	Dimension "A"
CL313-0329-7	MRF(1.6/5.6)-P-3C	3C-2V, 3C-2WS	MRF(1.6/5,6)-T-1	26.2
CL313-0393-6	MRF1.6/5.6-AP-2.5C	2.5C-2V	HRM-T-4(58A/U hole)	30
CL313-0397-7	MRF1.6/5.6-AP-59U	RG-59/U	MRF(1.6/5.6)-Z-1	26.2



## Panel jack

HRS No.	Part No.	Applicable cable	Connecting tool	Dimension "A"
CL313-0394-9	MRF1.6/5.6-PJ-2.5C	2.5C-2V	HRM-T-4(58A/U hole)	32
CL313-0398-0	MRF1.6/5.6-PJ-59U	RG-59U	MRF(1.6/5.6)-T-1	28.2
CL313-0399-2	MRF1.6/5.6-PJ-179U	RG-179/U	UM-MSS-T-1(1.5 hole)	30.75



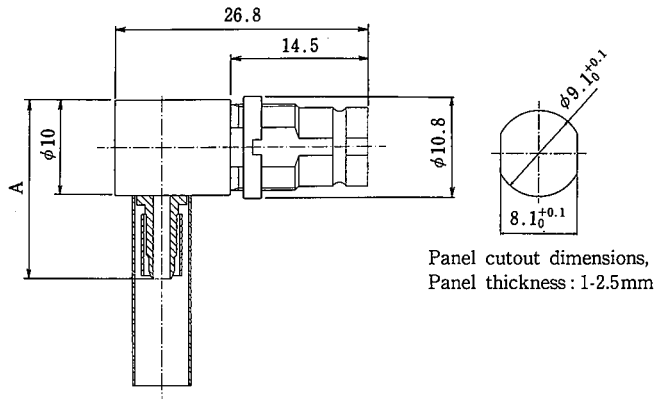
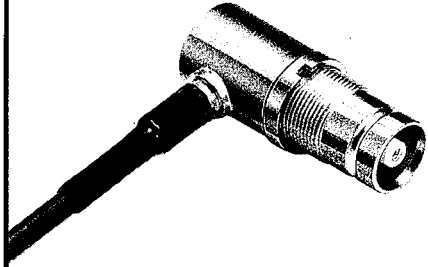
Panel cutout dimensions,  
 Panel thickness: 1~2.5mm

# MRF 1.6/5.6 SERIES

# RF CO-AXIAL CONNECTORS

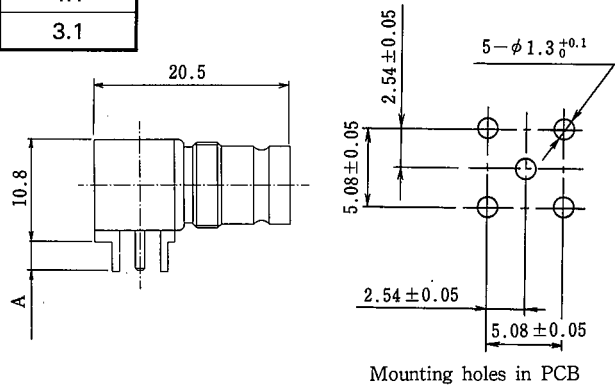
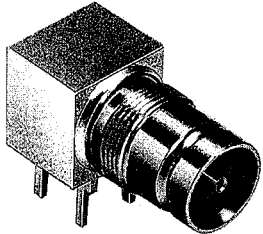
## L-shaped panel jack

HRS No.	Part No.	Applicable cable	Connecting tool	Dimension "A"
CL313-0395-1	MRF1.6/5.6-LPJ-179U	RG-179/U	UM•MSS-T-1(1.5 hole)	18.75



## L-shaped receptacle for PCB

HRS No.	Part No.	Dimension "A"
CL313-0330-6	MRF(1.6/5.6)-LR-PC	4.1
CL313-0390-8	MRF1.6/5.6-LR-PC-1	3.1



## U link

HRS No.	Part No.
CL313-0396-4	MRF1.6/5.6-BCUPA

